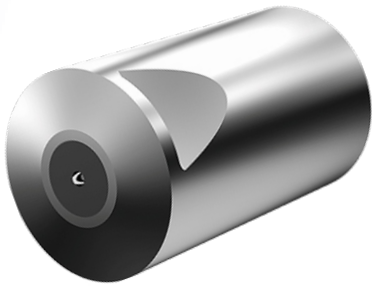
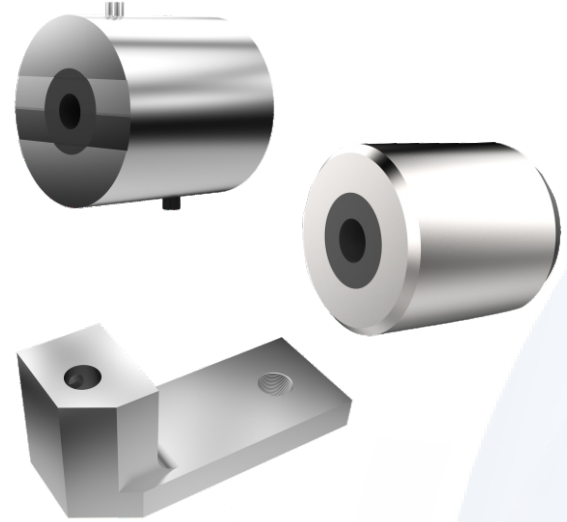


# TOOLING FOR ROLLER MANUFACTURING

- » Parin Engineering have developed dies for taper roller and needle roller.
- » Dies in one piece design as well as segmental design has been developed and supplied successfully to major "Roller" manufacturer in India. Based on Customer requirements top insert, bottom insert, housing (body) and punch can be supplied.



- » Parin engineering also manufactures cutter Insert, cutter and quill and thereby giving complete tooling solution under one roof.
- » We hold huge inventory stock with us and thereby ensuring faster deliveries.

